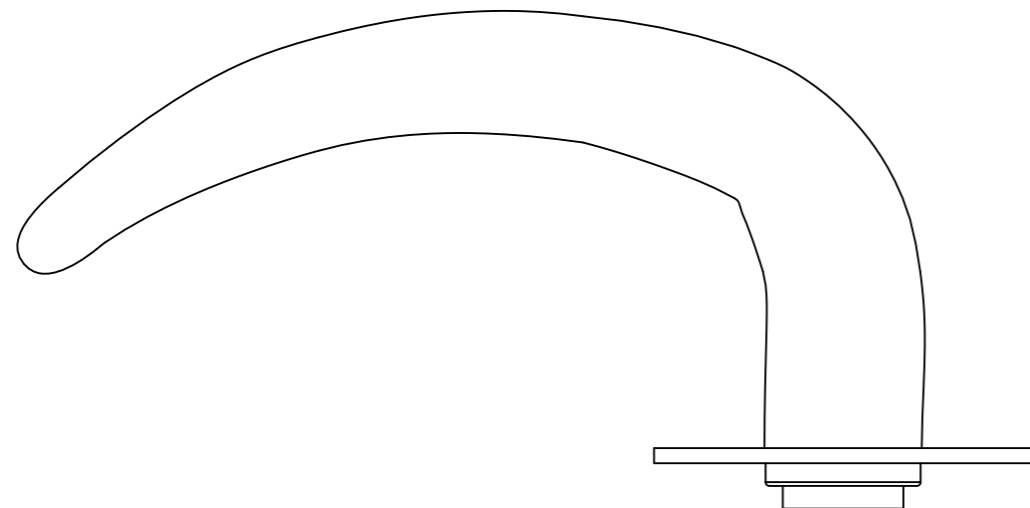
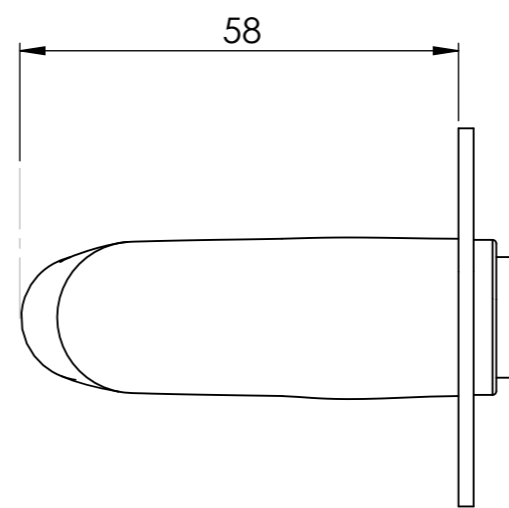
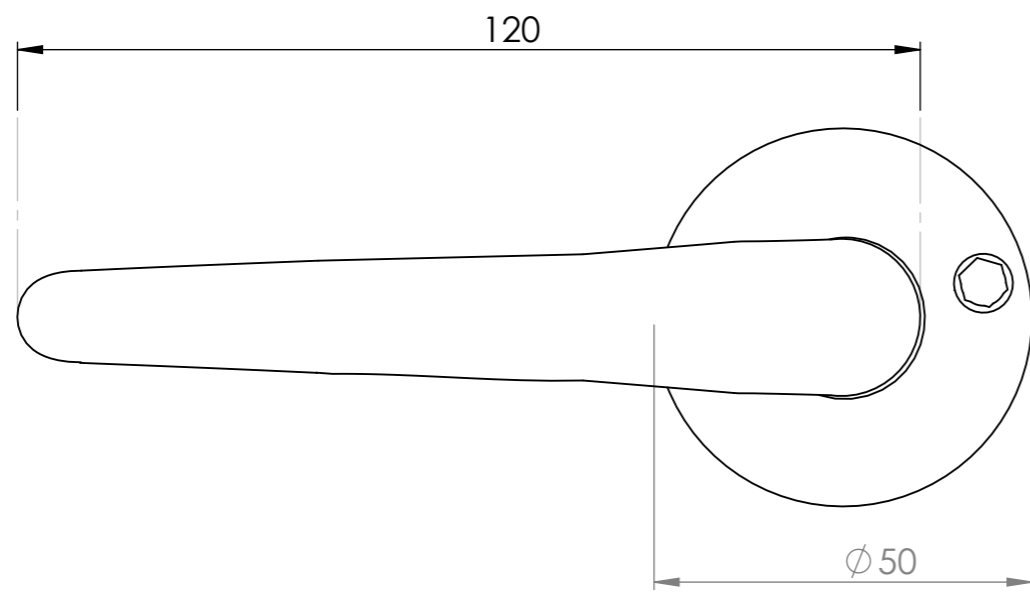
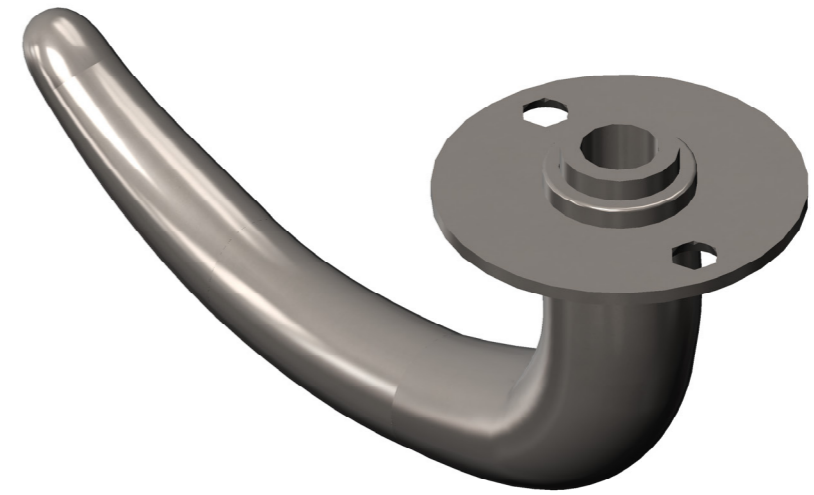
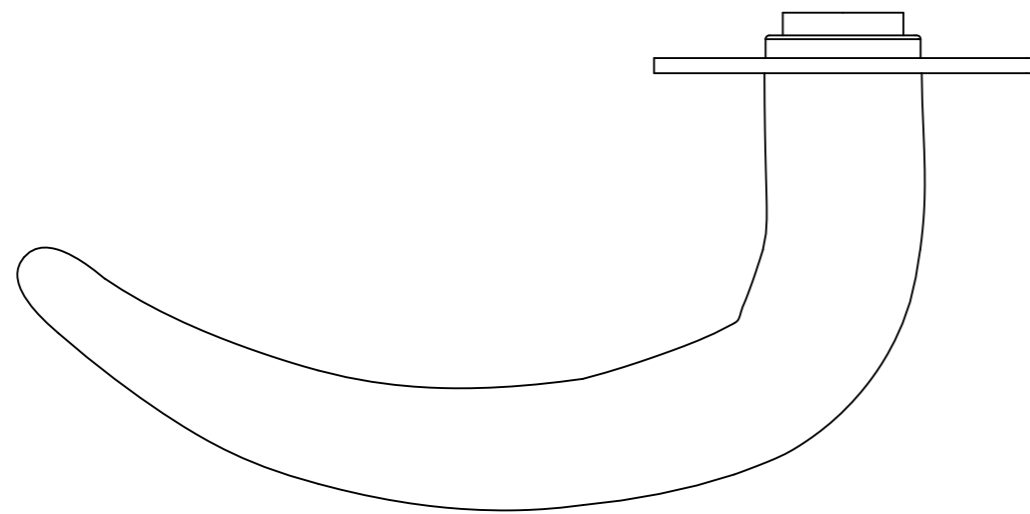


UNLESS OTHERWISE SPECIFIED: DIMENSIONS ARE IN MILLIMETERS SURFACE FINISH: TOLERANCES: LINEAR: ANGULAR:				FINISH:		DEBUR AND BREAK SHARP EDGES		DO NOT SCALE DRAWING		REVISION			
								habo					
								TITLE:					
								DWG NO.		16626		A3	
								WEIGHT:		SCALE:1:1		SHEET 1 OF 1	



UNLESS OTHERWISE SPECIFIED: DIMENSIONS ARE IN MILLIMETERS SURFACE FINISH: TOLERANCES: LINEAR: ANGULAR:				FINISH:		DEBUR AND BREAK SHARP EDGES		DO NOT SCALE DRAWING		REVISION	
								habo			
								TITLE:			
DRAWN				NAME		SIGNATURE		DATE		DWG NO. 16629	
CHK'D										A3	
APPV'D											
MFG											
Q.A								MATERIAL:		SCALE:1:1	
								WEIGHT:		SHEET 1 OF 1	